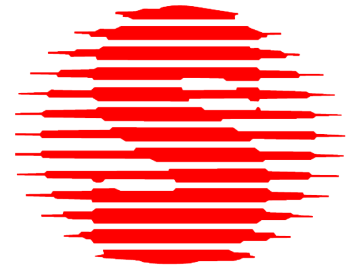


Megapixel IP Fixed Dome Camera with Varifocal Lens



EIGENSCHAFTEN

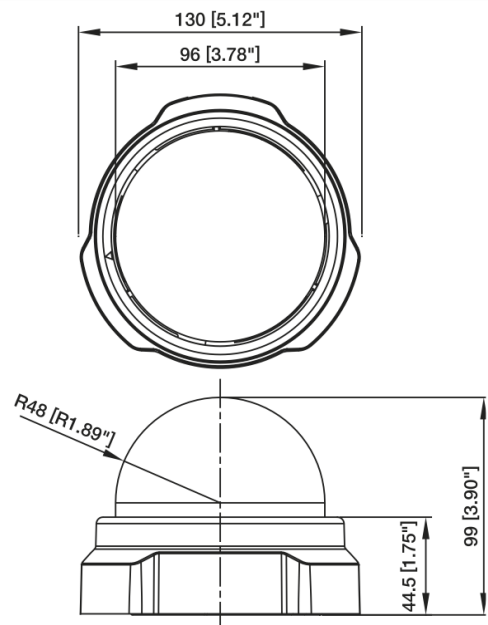
- 1/3" Micron Progressive Scan CMOS
- Day and night function with Mechanical IR Cut Filter
- Integrated f3.3~12 mm / F1.6 Megapixel varifocal lens
- 0 Lux (IR LED ON)
- Selectable MPEG-4 SP / MJPEG compression
- Up to SXGA resolution at 8 FPS
- Multi-stream with variable frame rate in the same compression
- Shutter Speed, White Balance, Exposure, Gain Controls supported
- Two-way audio supported
- Hardware motion detection
- DC 12V or Power over Ethernet (IEEE 802.3af) supported
- Surface / Pendant / Wall / Corner / Pole / Flush mount supported

ANSCHLÜSSE & ABMESSUNGEN



- 1 Audio Input / Output
2 Reset Button

- 3 DC 12V Power Input
4 Ethernet Port





TECHNISCHE DATEN

| Typ | CAMACIP19004 |
|--------------------------|--|
| Device | Micron Progressive Scan CMOS |
| Size | 1/3 inch |
| Effective Pixels | 1280(H) x 1024(V) |
| Color | Color mode automatically switched to B/W mode under 4 Lux |
| B/W | 0 Lux (IR LED ON) |
| IR Sensitivity | from 700 nm to 1100 nm |
| IR LED | IR LED x24 (850nm) |
| CDS Sensor | Yes |
| IR Working Distance | 20 ~ 30 M (30 IRE) |
| Focal Length | f3.3 ~ 12 mm / F1.6 |
| Viewing Angle | 75.4° ~ 22.7° (Horizontal) |
| X (Panning) | 0° ~ 330° |
| Y (Tilting) | 30° ~ 90° |
| Sync. System | Internal |
| Mechanical IR Cut Filter | Yes |
| Motion Detection | Yes (3 Windows) |
| Electronic Shutter | 1/5 ~ 1/15,000 sec |
| Fixed Shutter (Manual) | 1/30 ~ 1/1,000 sec. (60Hz); 1/25 ~ 1/1,000 sec. (50Hz) |
| Flickerless | 1/120 sec. (60Hz); 1/100 sec. (50Hz) |
| AGC | Automatic (User defined) |
| White Balance | AUTO, INDOOR1, INDOOR2, OUTDOOR1, OUTDOOR2, HOLD CURRENT, MANUAL |
| S/N Ratio | Better than 44 dB |
| Video Compression | MPEG-4 SP, MJPEG selectable |
| Picture Resolution | SXGA (1280x1024); HD720 (1280x720); VGA (640x480); QVGA (320 x 240); QQVGA (160 x 112) |
| Bit Rate | 28K ~ 3M bps |
| Image Frame Rate | 8 fps at SXGA; 10 fps at HD720; 30 fps at VGA; 30 fps at QVGA; 30 fps at QQVGA |
| Audio Compression | 8kHz, Mono, PCM |
| Audio Line Input | Unbalanced, 1.4Vp-p, 1Vrms, terminal block |
| Audio Line Output | Unbalanced, 1.4Vp-p, 1Vrms, terminal block |
| Reset Button | Factory default |
| Mount Types | Surface / Pendant* / Wall* / Corner* / Pole* / Flush* |



TECHNISCHE DATEN

| | |
|-------------------|---|
| Ethernet Port | Ethernet (10/100 Base-T), RJ-45 Connector |
| Protocol | TCP, UDP, HTTP, HTTPS, DHCP, PPPoE, RTP, RTSP, DNS, DDNS, NTP, ICMP, ARP, IGMP, SMTP, FTP, UPnP |
| Web Browser | Microsoft Internet Explorer 6.0 or above |
| SDK | ACTi SDK-10000 |
| Security | Password protection: configured by the administrator |
| Temperature | -10 °C~50 °C (14 °F~122 °F) |
| Power Requirement | PoE (IEEE802.3af) with Class 3 |
| Power Consumption | 5.0W (DC 12V); 6.8W (PoE) |
| Dimensions (ØxH) | 130 mm x 99 mm (5.12" x 3.90") |
| Weight | 380g (0.84 lb) |
| Certificate | CE, FCC |