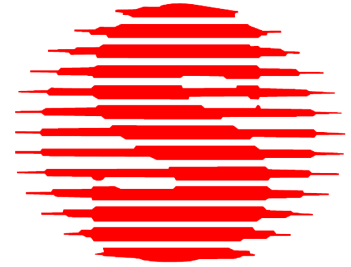


H.264 Megapixel IP IR D/N CCD Vandal Proof Outdoor PoE Fixed Dome



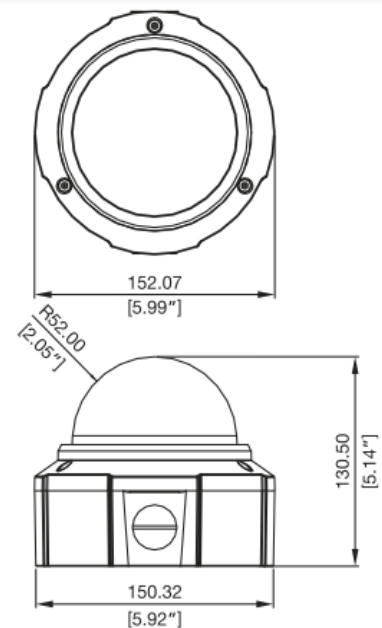
EIGENSCHAFTEN

- 1/3" Sony EXview HAD Progressive Scan CCD
- Day and night function with mechanical IR cut filter
- Minimum illumination 0 lux with IR LED on
- Built-in 3-9 mm / F1.2 Megapixel DC iris vari-focal lens
- 15 fps at 1280 x 960 resolution
- Selectable H.264, MPEG-SP, MJPEG compressions with dual streaming
- Two-way audio
- Video motion detection
- Digital input and digital output
- MicroSD/SDHC card slot for local storage
- Vandal proof and weatherproof IP66 rated casing
- Powered by PoE Class 3 / DC 12V

ANSCHLÜSSE & ABMESSUNGEN



- | | |
|-----------------|----------------------------------|
| 1 Ethernet Port | 4 Audio & Digital Input / Output |
| 2 Reset Button | 5 DC 12V Power Input |
| 3 Power Button | 6 MicroSD / MicroSDHC Card Slot |





TECHNISCHE DATEN

Typ	CAMACIP19008
Device	
Device Type	Fixed Dome Camera
Image Sensor	Sony EXview HAD Progressive Scan CCD
Sensor Size	1/3" (4.8 x 3.6 mm)
Horizontal Resolution	900 TVL
Day / Night	Yes
Minimum Illumination	Color: 0.15 lux at F1.2 (30 IRE, Max. AGC); B/W: 0 lux (IR LED on)
Color to B/W switch	CDS sensor based switch, configurable
Mechanical IR Cut Filter	Yes
IR Sensitivity Range	700 - 1100 nm
IR LED	IR LED x 31 (850 nm)
IR Working Distance	40 m (0 lux, 30 IRE, Max Exposure Gain)
Electronic Shutter	1/60 - 1/10,000 sec (60Hz); 1/50 - 1/10,000 sec (50Hz) (manual mode) 2 - 1/100,000 sec (auto mode)
Lens	
Focal Length	Vari-focal, f3 - 9 mm / F1.2
Iris	DC iris
Focus	Manual focus
Horizontal Viewing Angle	85.8° - 30.3°
Viewing Angle Adjustment	Pan: 0° - 360°; Tilt: 10° - 90°; Rotate: 0° - 360°
Video	
Compression	H.264, MPEG-4 SP, MJPEG
Maximum Frame Rate vs. Resolution	15 fps at 1280 x 960; 30 fps at 1280 x 720 (HD 720p); 30 fps at 640 x 480 (VGA); 30 fps at 320 x 240 (QVGA); 30 fps at 160 x 112 (QQVGA)
Multi-Streaming	Simultaneous dual streams based on two configurations
Bit Rate	28 Kbps - 6 Mbps (per stream)
Bit Rate Mode	Constant, Variable
S/N Ratio	More than 50 dB
Image Enhancement	Backlight compensation; White balance: automatic, predefined and manual; Brightness; Automatic gain control; Auto exposure: automatic, predefined and manual; Flickerless
Privacy Mask	4 configurable regions
Text Overlay	User defined text on video
Image Orientation	Image flip and mirror



TECHNISCHE DATEN

Audio

Compression	8 kHz, Mono, PCM, 16 bit encoding
Audio-In	Terminal block
Audio-Out	Terminal block

Network

Protocol & Service	TCP,UDP, HTTP, HTTPS, DHCP, PPPoE, RTP, RTSP, IPv6, DNS, DDNS,NTP, ICMP, ARP,IGMP, SMTP, FTP, UPnP, SNMP,Bonjour
Ethernet Port	1, Ethernet (10/100 Base-T), RJ-45 connector
Security	IP address filtering; HTTPS encryption; Password protected user levels

Alarm

Alarm Trigger	Video motion detection (3 regions); External device through digital input
Alarm Response	Notify control center; Change camera settings; Command other devices;E-mail notification with snapshots;Upload video, snapshot to FTP server; Activate external device through digital output

Interface

Digital Input	1, TTL, terminal block
Digital Output	1, TTL, terminal block
Local Storage	MicroSD / MicroSDHC memory card slot (card not included)

General

Power Source / Consumption	PoE Class 3 (IEEE802.3af) / 11.52 W (heater and fan off) PoE Class 3 (IEEE802.3af) / 12.96 W (fan on) DC 12V / 8.76 W (heater and fan off) DC 12V / 10.8 W (heater and fan on)
Weight	1420 g (3.13 lb)
Dimensions (Ø x H)	152.00 mm x 131.50 mm (5.98" x 5.18")
Environmental Casing	Weatherproof (IP66 rated);Transparent vandal proof dome cover, up to 1743.68 kgF (3844.16 lbF)
Mount Type	Surface, Pendant, Wall, Corner, Pole, Flush
Operating Temperature	-30 °C ~ 50 °C (-22 °F ~ 122 °F) for DC 12V; -5 °C ~ 50 °C (7 °F ~ 122 °F) for PoE
Approvals	CE, FCC, IP66

Integration

Unified Solution	Fully compatible with ACTi software
ISV Integration	Software Development Kit (SDK) available
Firmware Access Browser	Microsoft Internet Explorer 6.0 or newer